

USING THE TELESCOPING POLE

See Figure 4.

- Connect the high pressure hose of your pressure washer to the inlet coupler on the telescoping pole.
- Before attempting to use the telescoping pole on your project, move away from the project area and extend the pole to 50% of its available length. Depress the trigger to release a stream of water so that you can get a feel for how the unit will perform during use.
- The spray wand will kickback when the trigger is released and/or pressure is lost. Before releasing the trigger, move the nozzle at least 10 feet away from the surface being cleaned and make sure you have solid footing.

⚠ WARNING:

The telescoping pole will flex as pressure is added or lost. Fully understand how the pole moves when adding or lessening pressure before attempting a cleaning project. If you are not completely comfortable with the movement of the pole under changing pressure conditions, do not use this product.

- Adjust the height of the telescoping pole as needed to fit your project requirements.

⚠ WARNING:

Lengthen the telescoping pole only as much as necessary for the project you are attempting and remain in full control of the telescoping pole at all times.

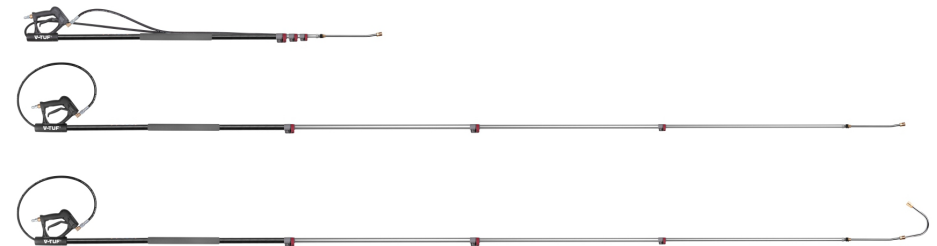
- Move to the project area, raise the pole and aim toward the area to be cleaned. Squeeze the trigger to begin spraying.
- To engage the lock-out, push up on the lock-out until it clicks into the slot.
- To disengage the lock-out, push the lock-out down to its original position.



Fig. 4

⚠ WARNING:

To reduce the risk of injury or property damage, spray the pressure stream in a safe direction to ensure proper connection of all accessories before starting any cleaning project. Fits most pressure washers. Ensure compatibility and proper fit before using this accessory. Wear eye protection marked to comply with Z87.1. Risk of fluid injections; do not point at people, pets, electrical devices or the unit itself. Turn off the pressure washer before changing or adjusting accessories. For cold water use only. Save these instructions. Refer to them frequently and use them to instruct other users. If you loan someone this tool, loan them these instructions also.



EXTENDABLE LANCE OPERATOR MANUAL



Please read this manual before using the Extendable Lance

Telescoping Pole

⚠ DANGER:
To reduce the risk of injury, the user must read and understand this insert sheet as well as the operator's manual for their pressure washer before using this product. Failure to follow all warnings and precautions may result in death, serious personal injury, or property damage.

IMPORTANT SAFETY WARNINGS

- Keep at least 25 feet away from power lines. Do not touch or aim spray at electrical wiring of any kind.
- Do not extend or retract the telescoping pole or change nozzles or accessories while spraying or while the wand is under pressure. Turn off the pressure washer, shut off the water supply, point the nozzle in a safe direction, and pull the trigger to release water pressure before making any changes.
- Do not use the telescoping pole while on a ladder or scaffolding.
- When using the telescoping pole at any position less than fully extended, make sure the high pressure hose is located so that it will not be stepped on, tripped over, or otherwise subjected to damage or stress. Keep the hose clear of the working area.
- Do not exceed the maximum rated pressure or volume listed in the product specifications.
- Do not remove or alter any warning labels included on the telescoping pole.
- Before beginning operation, make certain the area you plan to work in is clear of obstructions or hazards.
- Maintain proper balance and control of telescoping pole at all times.
- To minimize the risk of kickback, grip the telescoping pole firmly with both hands. A firm grip together with a stiff left arm will help you maintain control of the telescoping pole if kickback occurs.

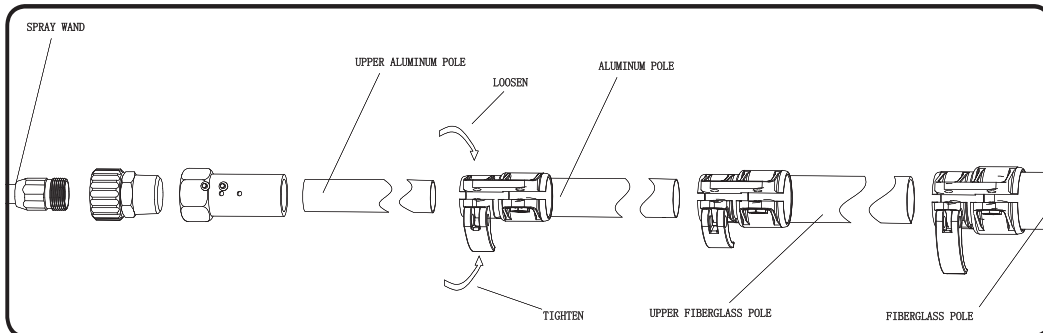
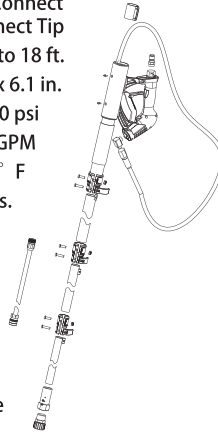
PRODUCT SPECIFICATIONS

Connections 3/8 in. Quick Connect Plug Inlet, 1/4 in. Quick Connect Tip
 Length 6-1/2 ft. extends to 18 ft.
 Handle size 8.5 in. x 6.1 in.
 Maximum Pressure up to 3800 psi
 Maximum Water Flow 8 GPM
 Maximum Water Temperature .. 200° F
 Weight 9.5 lbs.

ASSEMBLING /ADJUSTING THE TELESCOPING POLE

See Figure 1.

- The telescoping pole can be used retracted, extended, or at any point in between. To assemble:
- Carefully unfold the telescoping pole so that all of the pieces are laid out in a straight line.
 - Push the two fiberglass poles together. Lower the coupler and tighten securely but do not overtighten.
 - Push the upper fiberglass pole and the lower aluminum pole together. Lower the coupler and tighten securely but do not overtighten.
 - Push the two aluminum poles together. Lower the coupler and tighten securely but do not overtighten.
 - Install the spray wand on the upper aluminum pole. Tighten securely but do not overtighten.
 - To adjust the length of any of the poles, slightly loosen the coupler, push the two poles together to the desired length, then retighten the coupler securely.
 - Never fully extend the poles. Do not extend beyond the lines marked on the poles. This allows 6 in. of pole to remain inside the next section to help provide stability during operation.



CONNECTING WAIST AND SHOULDER STRAPS

See Figure 2 - 3.

The telescoping pole comes with support belt and fully adjustable waist and shoulder straps to ensure user comfort and ease of operation.

⚠ WARNING:
The support belt is only designed to support and stabilize the telescoping pole during operation. Do not use the support belt for any other purpose. Failure to heed this warning could result in possible serious personal injury.

To connect the waist strap:

- Position the support belt around your waist so that the padding is at your back.
 - Insert the male end of the waist strap into the buckle, as shown.
 - Waist strap can be adjusted by lifting up on the male end to loosen or pulling down on the waist strap to tighten.
- NOTE:** Waist strap should be adjusted to a comfortable position before operating the telescoping pole.

To connect the shoulder strap:

- Place shoulder strap over your left shoulder.
 - Insert the male end of the shoulder strap into the buckle located on the right side of the support belt until it clicks into place.
 - Shoulder strap can be adjusted by lifting up on the male end of the buckle to loosen or pulling down on the shoulder strap to tighten.
- NOTE:** Shoulder strap should be adjusted to a comfortable position before operating the telescoping pole.

CONNECTING TELESCOPING POLE TO SUPPORT BELT

See Figure 3.

Connect the waist and shoulder straps and make all belt adjustments before attaching the telescoping pole.

To attach the telescoping pole:

- Insert the remaining male end into the buckle on the telescoping wand until it clicks into place.

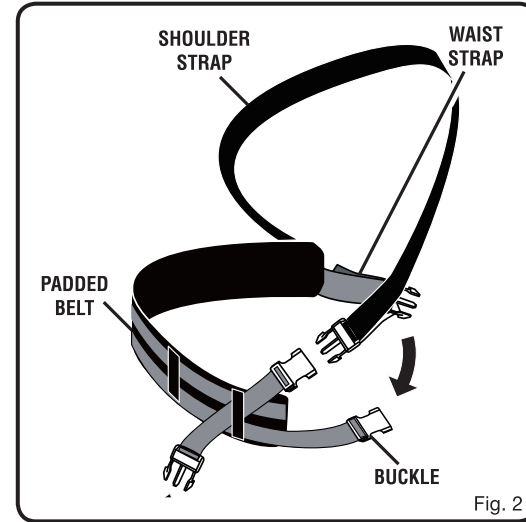


Fig. 2

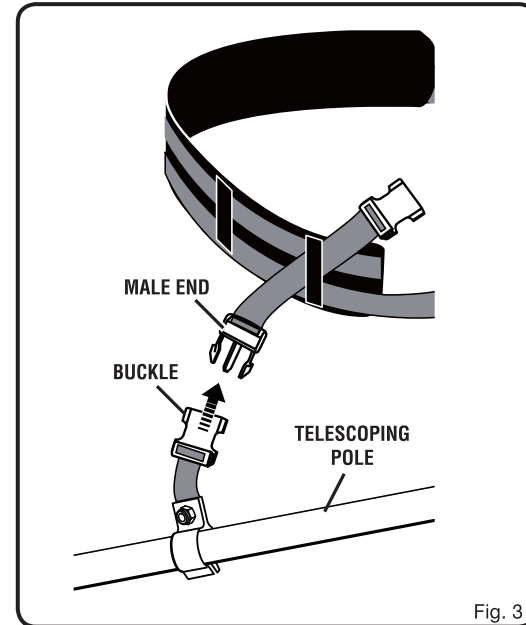


Fig. 3